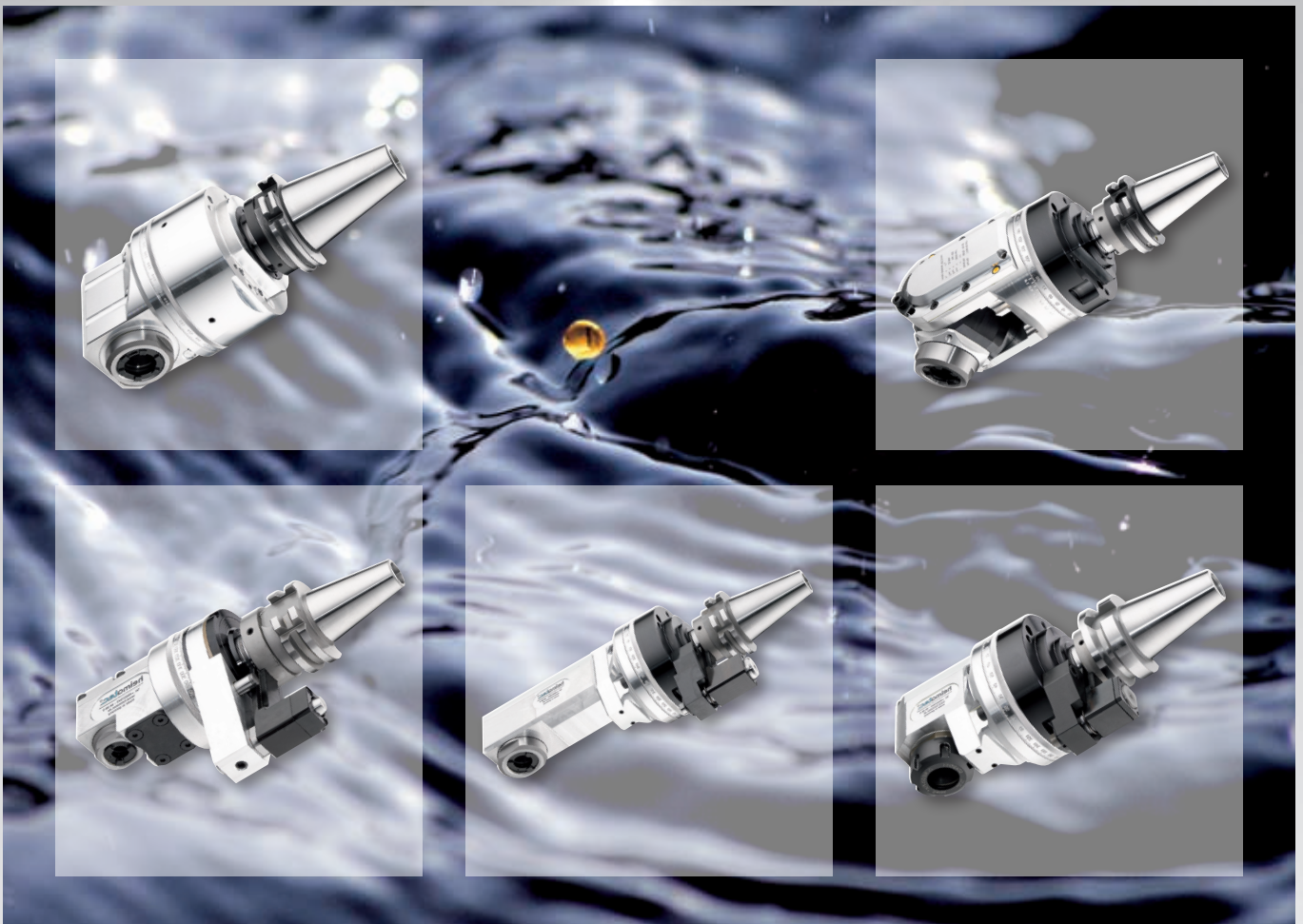


Machining Center Angle Heads

**standard
size 5**





Terms and conditions:

You will find them on our website

www.heimatec.com

Home/Imprint/Terms and Conditions

This catalogue, including all its parts, is protected by copyright. Each use outside the restricted limitations of the Copyright Act is inadmissible and liable to prosecution without the consent of heimatec. This is particularly valid for duplication, translation, microfilming and feeding and processing in electronic systems.

heimatec® GmbH reserves the right of technical changes everytime without advance notice, which is particularly valid for adaptations to new or changed international standards, or to developments of our products or manufacturing processes.

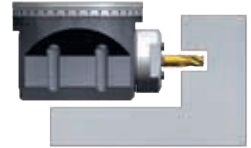
► **Angle Heads line standard**

Adaptable for various application



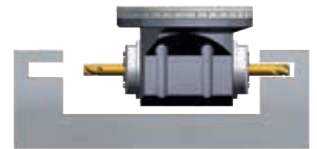
► **Angle Heads ; standard**
360° turnable

For machining tasks without geometric constraints.



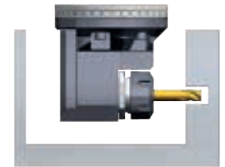
► **Angle Heads ; double spindle**
360° turnable

For machining tasks without geometric constraints and to manufacture in the opposite direction.



► **Angle Heads ; standard ; offset**
360° turnable

For machining tasks with geometric constraints. Offset output to maximize the usable tool length.



► **Angle Heads ; offset ; slim**
360° turnable

For special machining tasks with strong geometric constraints which need special plunging. Offset output to maximize the usable tool length.

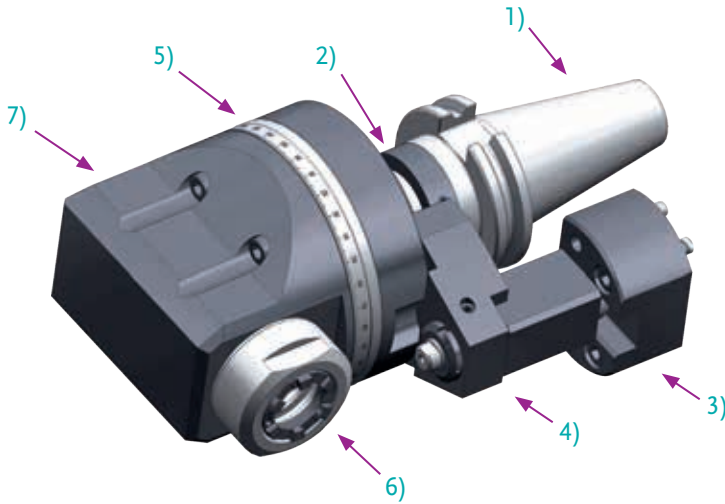


► **Angle Heads ; ± 90° adjustable**
360° turnable

For machining tasks which enable the changing and angular position of the tool.

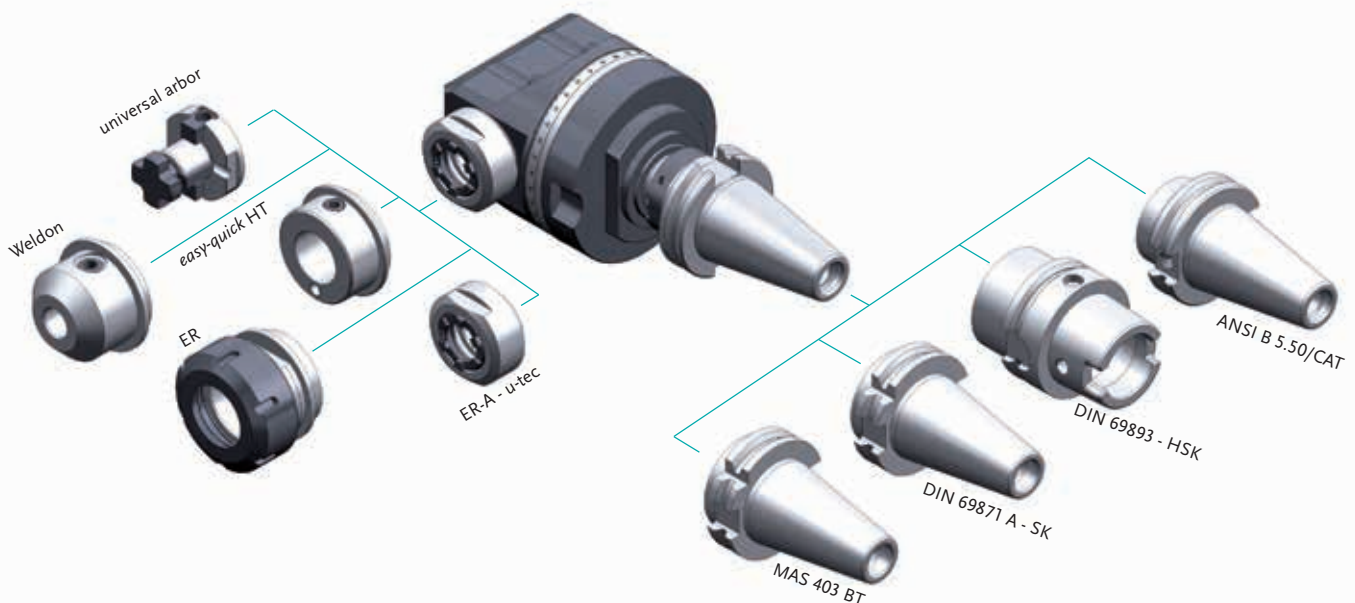


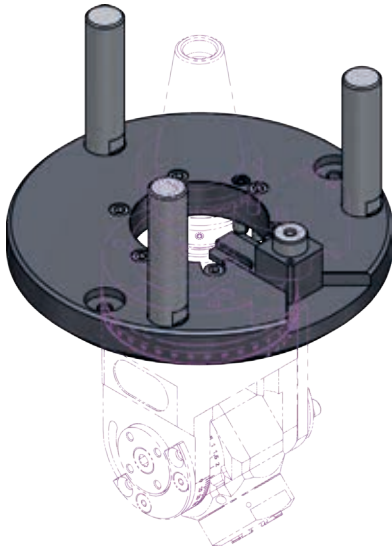
► features and overview



- 1) **Machine adaption**
DIN 69871 A - SK
DIN 69893 - HSK
MAS 403 BT
ANSI B 5.50/ CAT
- 2) **Arrestor ring**
Locks the tool drive taper.
- 3) **Stop block**
For locking and preventing the rotation of the angle head.
Optional machine specification according customer's instruction.
- 4) **Torque arm**
For locking the housing of the angle head on the machining spindle to prevent the rotation of the angle head.
- 5) **Scale ring**
Controllable and continuous rotation of the tool ensures the ideal working angle.
- 6) **Tooladaption**
The standard tooladaptions are equipped with collet chucks.
- 7) **Housing**
45/90° angle possibilities, depending on the required use

► combinations



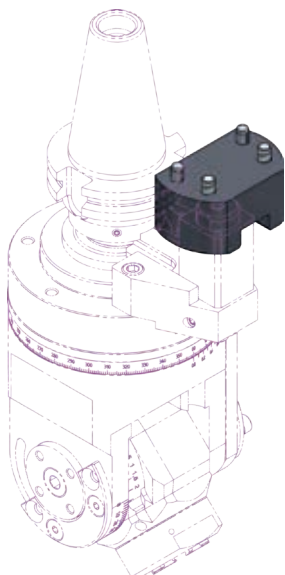
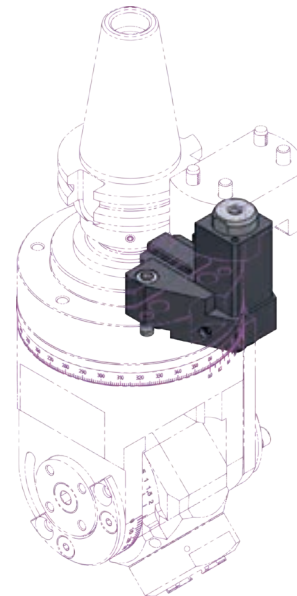


► **Support flange with integrated torque arm**

For additional support, in order to stabilize and to reduce the vibration of the entire system. The additional support will be produced specifically according to customer's instruction and the machine specifications.

► **Torque arm**

Locates the angle head at the machining spindle and secures/prevent the rotation of the angle head. Optional machine specification according customer's instruction.

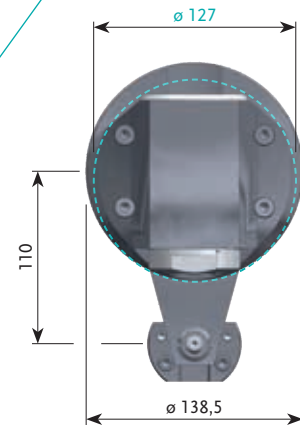
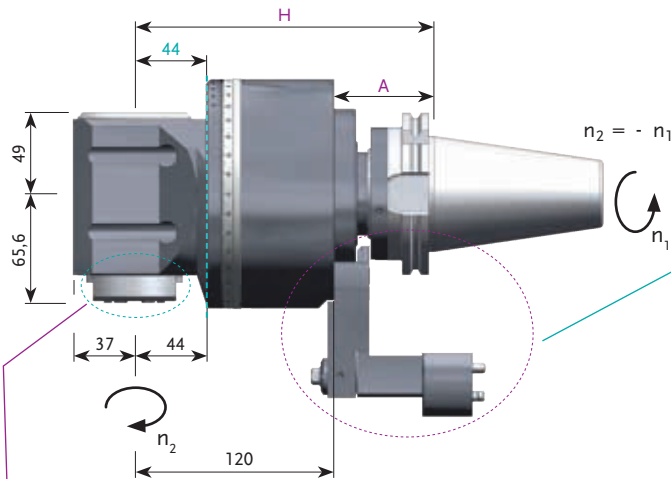
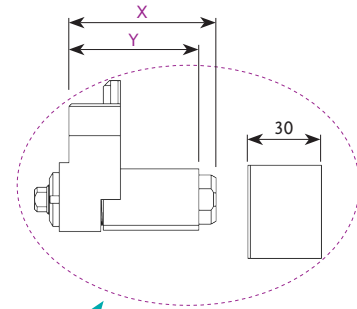
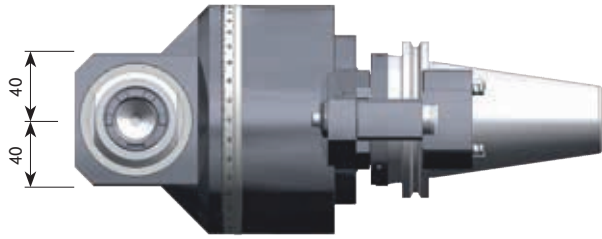


► **Stop block**

For locking and preventing the rotation of the angle head. Optional machine specification according customer's instruction.

► Angle Heads

360° turnable








size 5 standard



tool adaption : **ER 32 A - u-tec** (ø1,0-ø20,0)
 rotation $n_{2 \max}$ [1/min] : 8000
 torque $M_{2 \max}$ [Nm] : 60

coolant : no
 gear ratio [i] : 1:1
 rotating direction : opposite

ref.-no.	machine adaption	center distance H [mm]	gauge line of housing A [mm]	torque arm		stop-block
					Dim. X [mm] Dim. Y [mm]	
7 030 66 014	 DIN 69871 A - SK 50	180	60	✓	60 53	✓
7 030 66 024				✓	60 53	✗
7 030 66 010				✗	- -	✗
7 030 76 001	 DIN 69893 - HSK 100 A	190	70	✓	60 53	✓
7 030 76 004				✓	60 53	✗
7 030 76 000				✗	- -	✗
7 030 66 016	 MAS 403 BT 50	190	70	✓	60 53	✓
7 030 66 025				✓	60 53	✗
7 030 66 015				✗	- -	✗
7 030 66 013	 ANSI B 5.50/ CAT 50 inch	180	60	✓	60 53	✓
7 030 66 023				✓	60 53	✗
7 030 66 012				✗	- -	✗

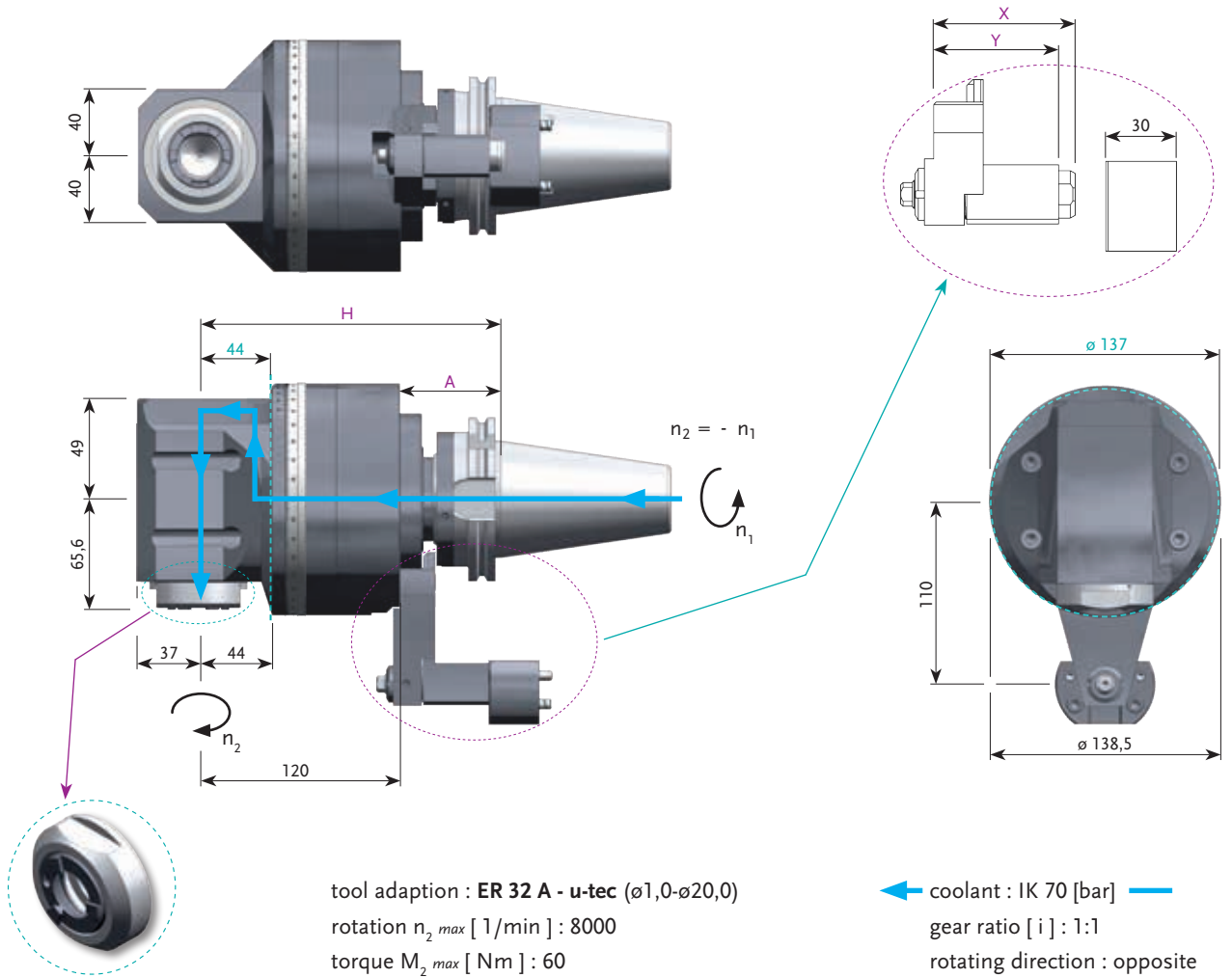
note: support optional!

✗ = not included in delivery
 ✓ = included in delivery
 Dim. X = end face fixing bolt / gauge line of the housing
 Dim. Y = locking device / gauge line of the housing

► further versions on request













► Angle Heads

360° turnable



tool adaption : ER 32 A - u-tec (ø1,0-ø20,0)
rotation n_2_{max} [1/min] : 8000
torque M_2_{max} [Nm] : 60

← coolant : IK 70 [bar] —
gear ratio [i] : 1:1
rotating direction : opposite

ref.-no.	machine adaption	center distance H [mm]	gauge line of housing A [mm]	torque arm		stop-block	
				Dim. X [mm]	Dim. Y [mm]		
7 030 66 017	 DIN 69871 A - SK 50	180	60		60	53	
7 030 66 027				✓	60	53	✗
7 030 66 011				✗	-	-	✗
7 030 76 003	 DIN 69893 - HSK 100 A	190	70		60	53	
7 030 76 005				✓	60	53	✗
7 030 76 002				✗	-	-	✗
7 030 66 021	 MAS 403 BT 50	190	70		60	53	
7 030 66 028				✓	60	53	✗
7 030 66 020				✗	-	-	✗
7 030 66 019	 ANSI B 5.50/ CAT 50 inch	180	60		60	53	
7 030 66 026				✓	60	53	✗
7 030 66 018				✗	-	-	✗

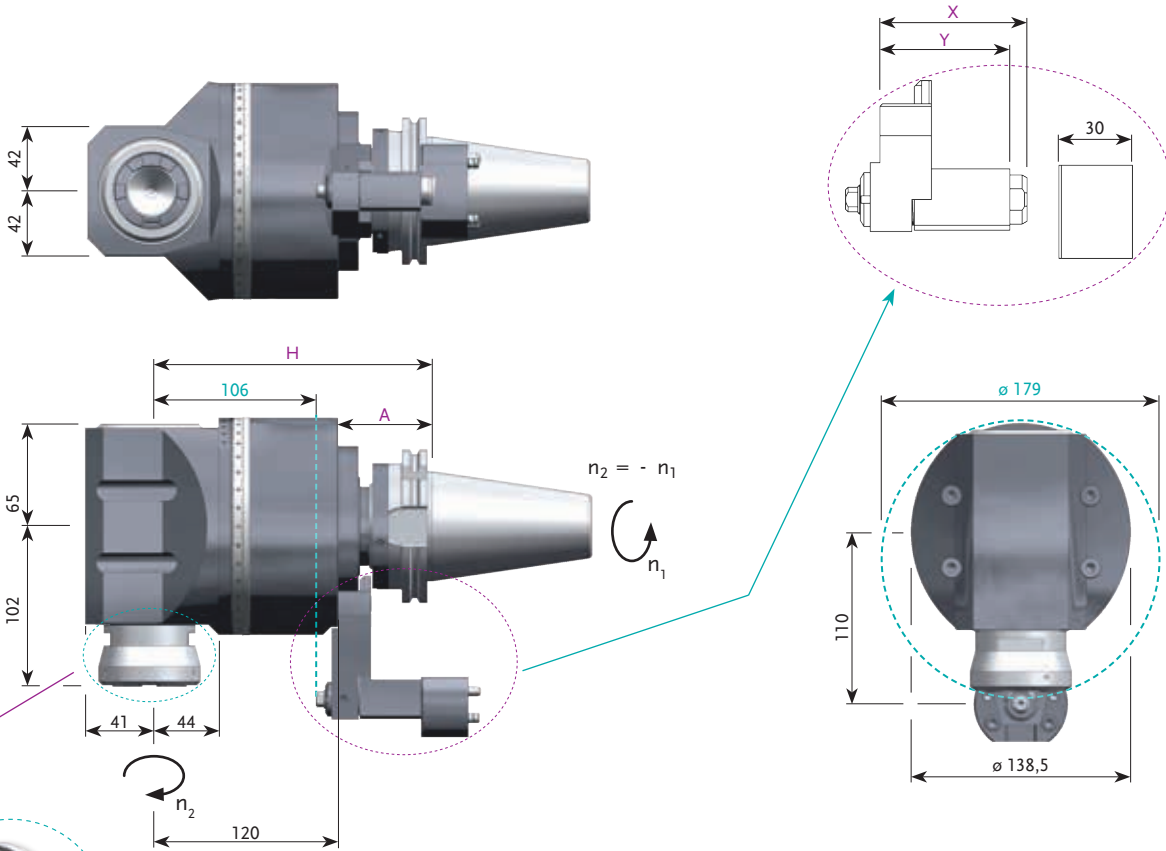
note: support optional!

✗ = not included in delivery
✓ = included in delivery
Dim. X = end face fixing bolt / gauge line of the housing
Dim. Y = locking device / gauge line of the housing

► further versions on request

► Angle Heads

360° turnable













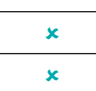






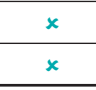






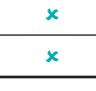
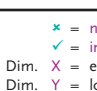
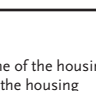


size 5 large



tool adaption : **ER 40 A - u-tec** (ø2,0-ø30,0)
 rotation $n_{2 \max}$ [1/min] : 8000
 torque $M_{2 \max}$ [Nm] : 60

coolant : no
 gear ratio [i] : 1:1
 rotating direction : opposite

ref.-no.	machine adaption	center distance H [mm]	gauge line of housing A [mm]	torque arm		stop-block
					Dim. X [mm] Dim. Y [mm]	
7 030 67 045	 DIN 69871 A - SK 50	180	60		60 53	
7 030 67 074					60 53	
7 030 67 039					- -	
7 030 77 003	 DIN 69893 - HSK 100 A	190	70		60 53	
7 030 77 012					60 53	
7 030 77 002					- -	
7 030 67 047	 MAS 403 BT 50	190	70		60 53	
7 030 67 075					60 53	
7 030 67 046					- -	
7 030 67 038	 ANSI B 5.50/ CAT 50 inch	180	60		60 53	
7 030 67 073					60 53	
7 030 67 044					- -	

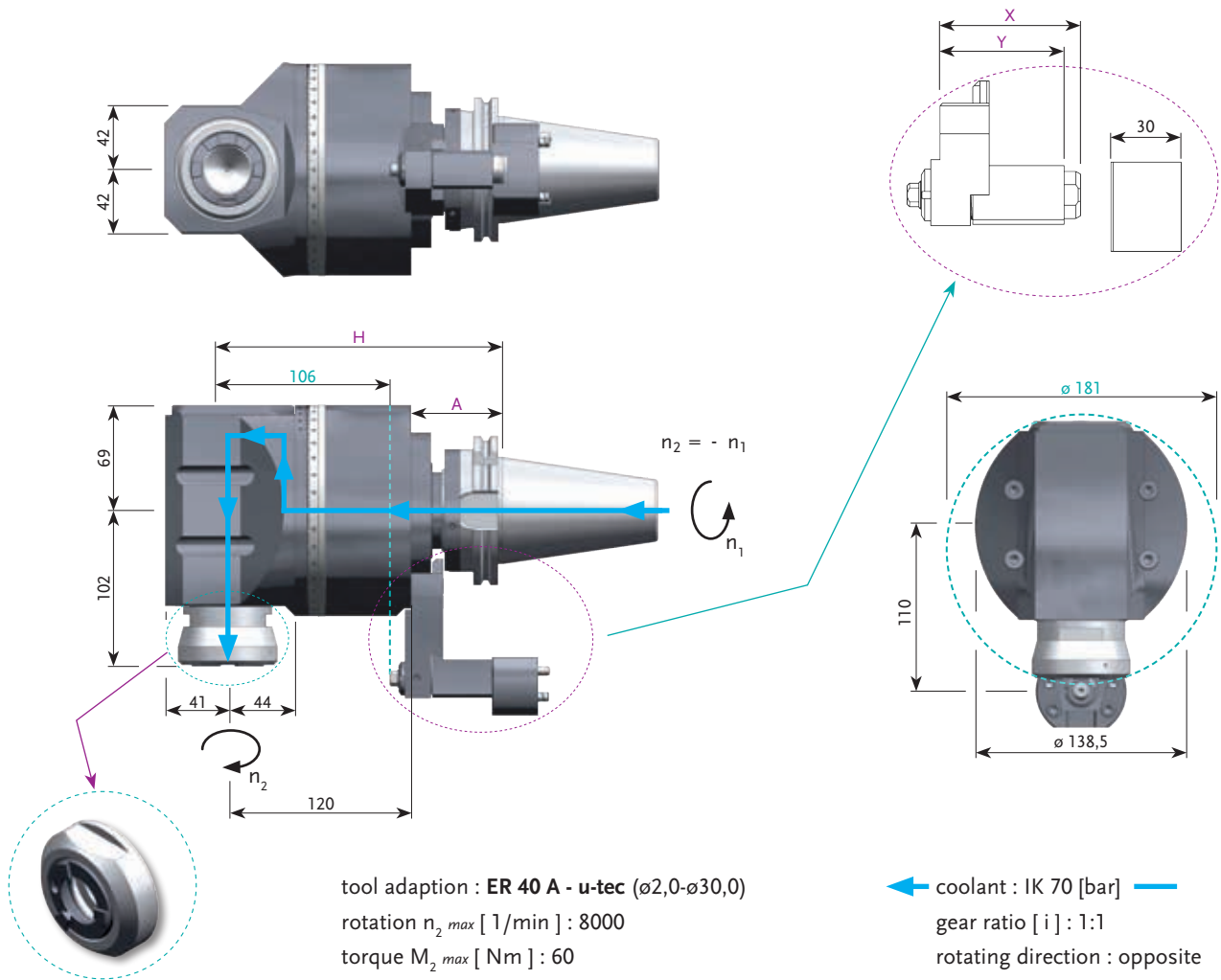
note: support optional!

x = not included in delivery
 ✓ = included in delivery
 Dim. X = end face fixing bolt / gauge line of the housing
 Dim. Y = locking device / gauge line of the housing

► further versions on request

► Angle Heads

360° turnable



ref.-no.	machine adaption	center distance H [mm]	gauge line of housing A [mm]	torque arm		stop-block	
				Dim. X [mm]	Dim. Y [mm]		
7 030 67 051	DIN 69871 A - SK 50	180	60		60	53	
7 030 67 077				✓	60	53	✗
7 030 67 050				✗	-	-	✗
7 030 77 005	DIN 69893 - HSK 100 A	190	70		60	53	
7 030 77 013				✓	60	53	✗
7 030 77 004				✗	-	-	✗
7 030 67 053	MAS 403 BT 50	190	70		60	53	
7 030 67 078				✓	60	53	✗
7 030 67 052				✗	-	-	✗
7 030 67 049	ANSI B 5.50/ CAT 50 inch	180	60		60	53	
7 030 67 076				✓	60	53	✗
7 030 67 048				✗	-	-	✗

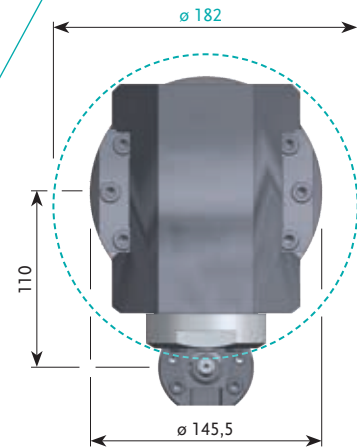
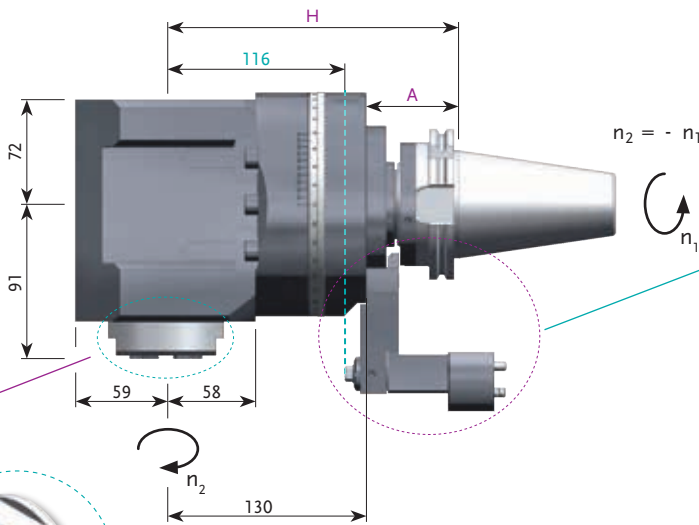
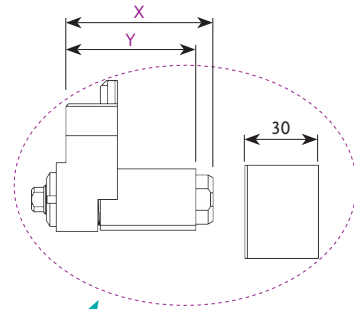
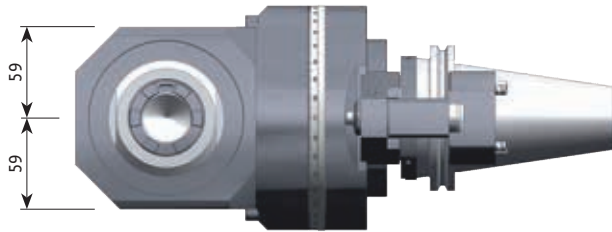
note: support optional!

✗ = not included in delivery
✓ = included in delivery
Dim. X = end face fixing bolt / gauge line of the housing
Dim. Y = locking device / gauge line of the housing

► further versions on request

► Angle Heads

360° turnable



size 5 heavy duty



tool adaption : ER 40 A - u-tec (ø2,0-ø30,0)
 rotation $n_{2 \max}$ [1/min] : 6000
 torque $M_{2 \max}$ [Nm] : 120

coolant : no
 gear ratio [i] : 1:1
 rotating direction : opposite

ref.-no.	machine adaption	center distance H [mm]	gauge line of housing A [mm]	torque arm		stop-block	
				Dim. X [mm]	Dim. Y [mm]		
7 030 67 054		190	60		60	53	
7 030 67 080				✓	60	53	✗
7 030 67 040				✗	-	-	✗
7 030 77 007		200	70		60	53	
7 030 77 014				✓	60	53	✗
7 030 77 006				✗	-	-	✗
7 030 67 058		200	70		60	53	
7 030 67 081				✓	60	53	✗
7 030 67 057				✗	-	-	✗
7 030 67 056		190	60		60	53	
7 030 67 079				✓	60	53	✗
7 030 67 055				✗	-	-	✗

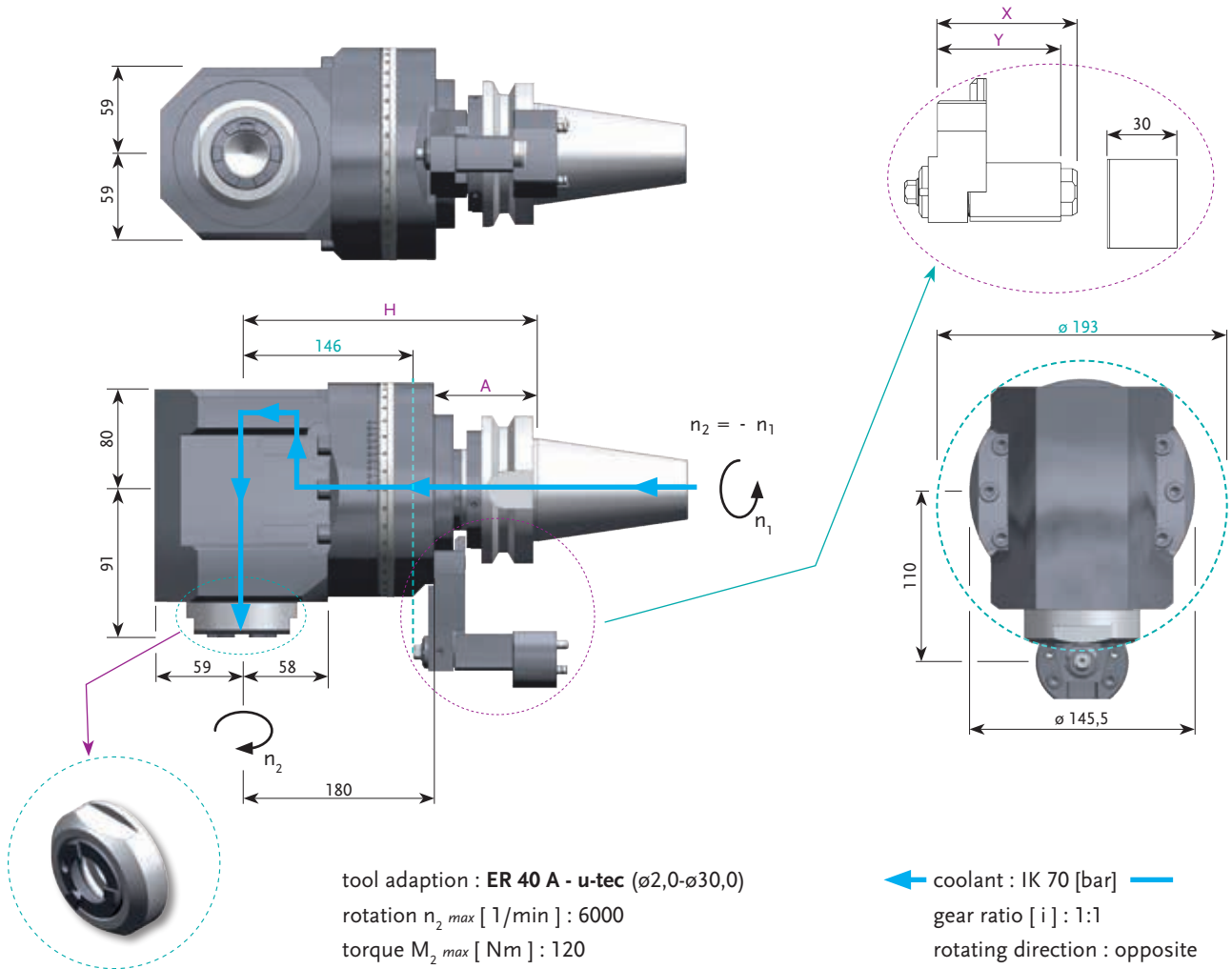
note: support optional!

✗ = not included in delivery
 ✓ = included in delivery
 Dim. X = end face fixing bolt / gauge line of the housing
 Dim. Y = locking device / gauge line of the housing

► further versions on request

► Angle Heads

360° turnable



ref.-no.	machine adaption	center distance H [mm]	gauge line of housing A [mm]	torque arm		stop-block	
				Dim. X [mm]	Dim. Y [mm]		
7 030 67 062	DIN 69871 A - SK 50	220	60		60	53	
7 030 67 083				✓	60	53	✗
7 030 67 061				✗	-	-	✗
7 030 77 009	DIN 69893 - HSK 100 A	230	70		60	53	
7 030 77 015				✓	60	53	✗
7 030 77 008				✗	-	-	✗
7 030 67 064	MAS 403 BT 50	230	70		60	53	
7 030 67 084				✓	60	53	✗
7 030 67 063				✗	-	-	✗
7 030 67 060	ANSI B 5.50/ CAT 50 inch	220	60		60	53	
7 030 67 082				✓	60	53	✗
7 030 67 059				✗	-	-	✗

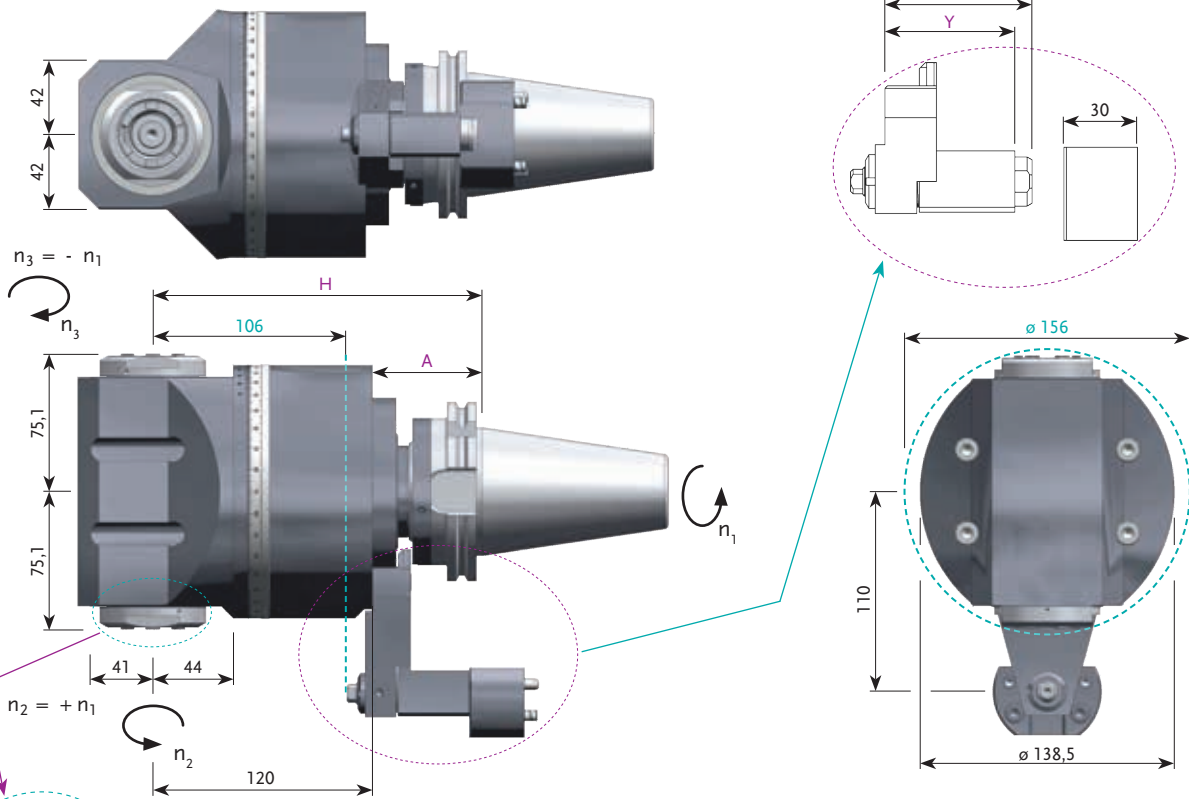
note: support optional!

✗ = not included in delivery
✓ = included in delivery
Dim. X = end face fixing bolt / gauge line of the housing
Dim. Y = locking device / gauge line of the housing

► further versions on request













► Angle Heads

360° turnable; double spindle



tool adaption : ER 32 A - u-tec (ø1,0-ø20,0)
 rotation $n_{2 \max}$ [1/min] : 6000
 torque $M_{2 \max}$ [Nm] : 60

coolant : no
 gear ratio [i] : 1:1
 rotating direction : same/opposite

ref.-no.	machine adaption	center distance H [mm]	gauge line of housing A [mm]	torque arm		stop-block	
				Dim. X [mm]	Dim. Y [mm]		
7 039 66 083	 DIN 69871 A - SK 50	180	60		60	53	
7 039 66 085				✓	60	53	✗
7 039 66 082				✗	-	-	✗
7 039 76 010	 DIN 69893 - HSK 100 A	190	70		60	53	
7 039 76 011				✓	60	53	✗
7 039 76 009				✗	-	-	✗
7 039 66 079	 MAS 403 BT 50	190	70		60	53	
7 039 66 086				✓	60	53	✗
7 039 66 075				✗	-	-	✗
7 039 66 081	 ANSI B 5.50/ CAT 50 inch	180	60		60	53	
7 039 66 084				✓	60	53	✗
7 039 66 080				✗	-	-	✗

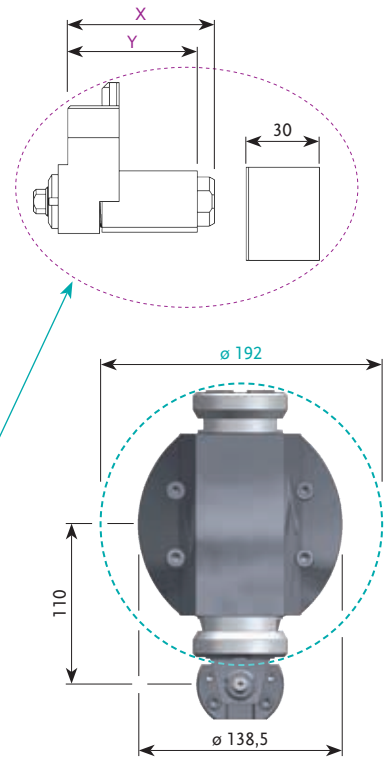
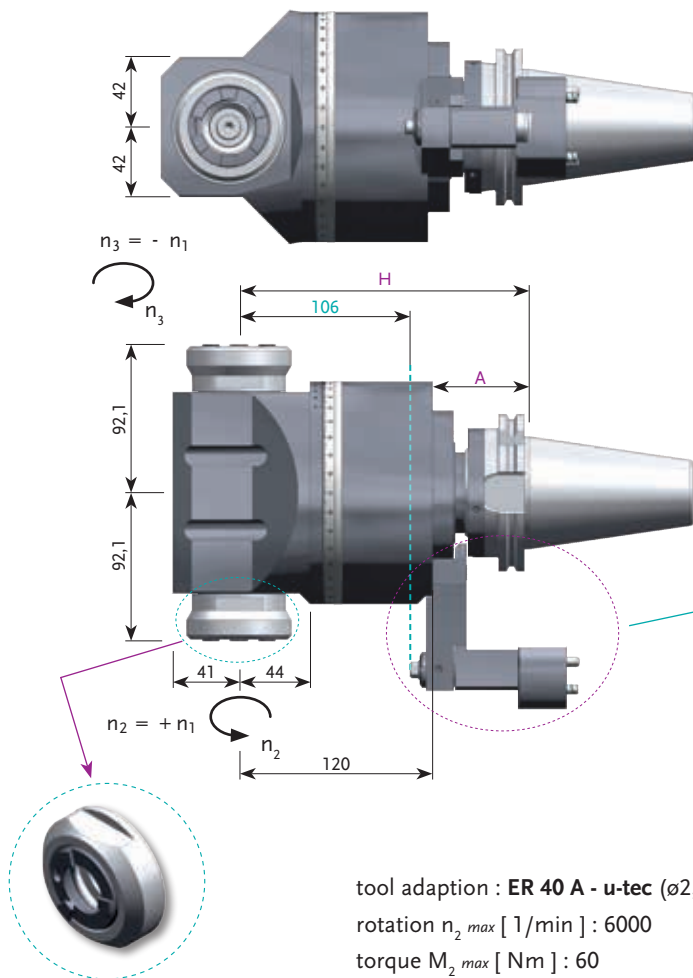
note: support optional!

✗ = not included in delivery
 ✓ = included in delivery
 Dim. X = end face fixing bolt / gauge line of the housing
 Dim. Y = locking device / gauge line of the housing

► further versions on request

► Angle Heads

360° turnable; double spindle



tool adaption : ER 40 A - u-tec ($\phi 2,0$ - $\phi 30,0$)
 rotation $n_{2 \max}$ [1/min] : 6000
 torque $M_{2 \max}$ [Nm] : 60

coolant : no
 gear ratio [i] : 1:1
 rotating direction : same/opposite

ref.-no.	machine adaption	center distance H [mm]	gauge line of housing A [mm]	torque arm		stop-block	
				Dim. X [mm]	Dim. Y [mm]		
7 039 67 060		180	60		60	53	
7 039 67 064				✓	60	53	✗
7 039 67 059				✗	-	-	✗
7 039 77 010		190	70		60	53	
7 039 77 011				✓	60	53	✗
7 039 77 009				✗	-	-	✗
7 039 67 062		190	70		60	53	
7 039 67 065				✓	60	53	✗
7 039 67 061				✗	-	-	✗
7 039 67 058		180	60		60	53	
7 039 67 063				✓	60	53	✗
7 039 67 057				✗	-	-	✗

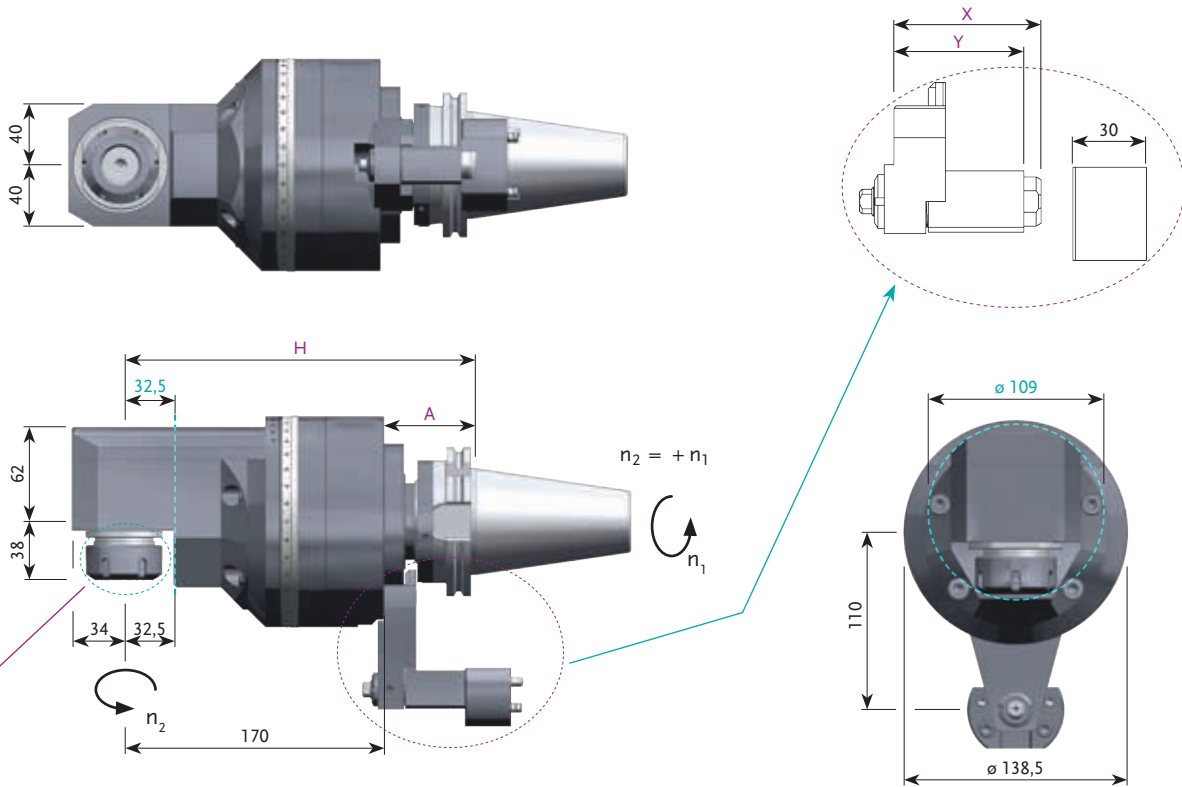
note: support optional!

✗ = not included in delivery
 ✓ = included in delivery
 Dim. X = end face fixing bolt / gauge line of the housing
 Dim. Y = locking device / gauge line of the housing

► further versions on request

► Angle Heads

360° turnable








size 5 standard offset



tool adaption : **ER 32** ($\phi 1,0$ - $\phi 20,0$)
 rotation $n_{2 \max}$ [1/min] : 6000
 torque $M_{2 \max}$ [Nm] : 50

coolant : no
 gear ratio [i] : 1:1
 rotating direction : same

ref.-no.	machine adaption	center distance H [mm]	gauge line of housing A [mm]	torque arm		stop-block	
					Dim. X [mm]		Dim. Y [mm]
7 033 66 019	 DIN 69871 A - SK 50	230	60	✓	60	53	✓
7 033 66 029				✓	60	53	✗
7 033 66 018				✗	-	-	✗
7 033 76 002	 DIN 69893 - HSK 100 A	240	70	✓	60	53	✓
7 033 76 006				✓	60	53	✗
7 033 76 001				✗	-	-	✗
7 033 66 021	 MAS 403 BT 50	240	70	✓	60	53	✓
7 033 66 030				✓	60	53	✗
7 033 66 020				✗	-	-	✗
7 033 66 017	 ANSI B 5.50/ CAT 50 inch	230	60	✓	60	53	✓
7 033 66 028				✓	60	53	✗
7 033 66 016				✗	-	-	✗

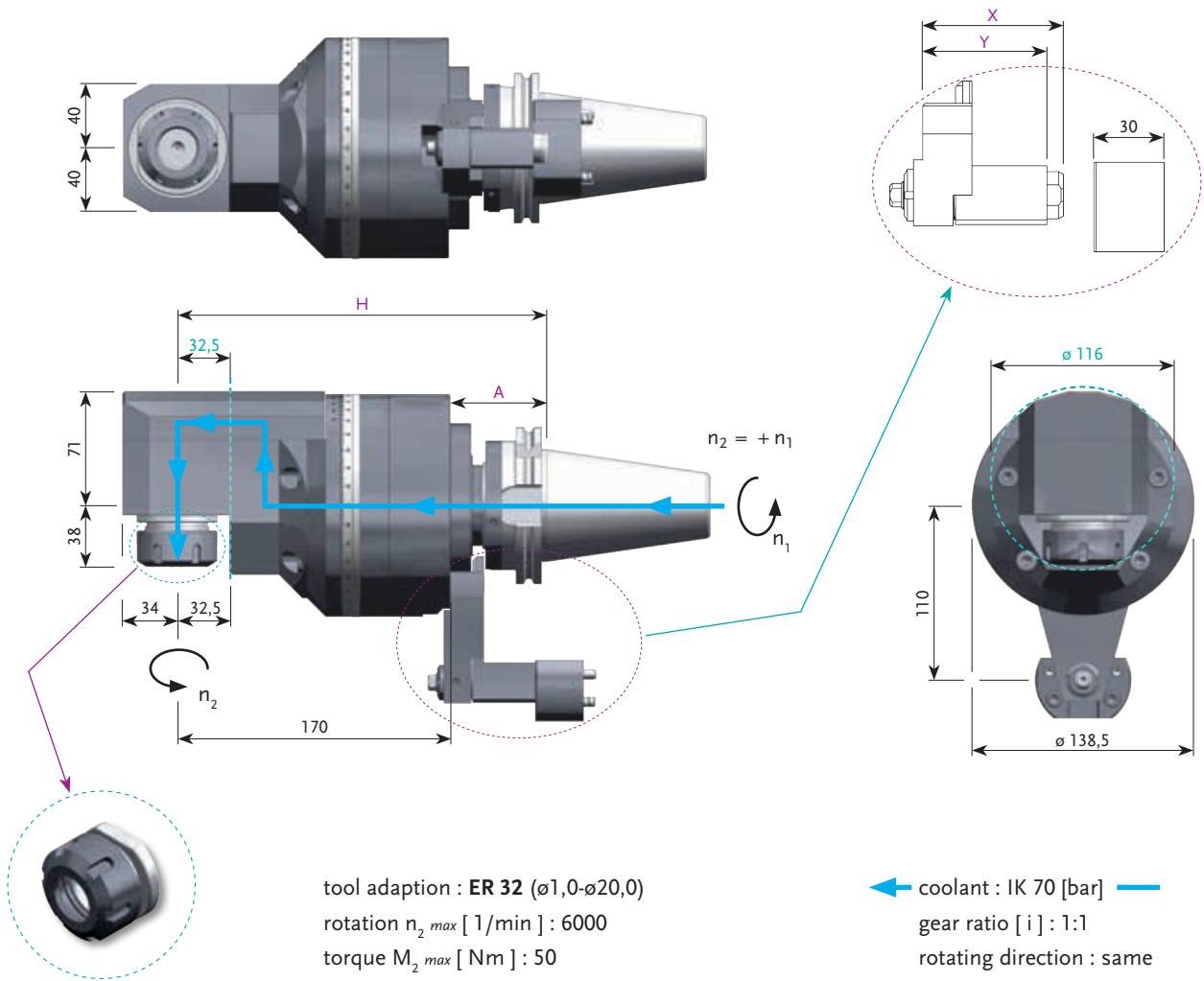
note: support optional!

✗ = not included in delivery
 ✓ = included in delivery
 Dim. X = end face fixing bolt / gauge line of the housing
 Dim. Y = locking device / gauge line of the housing

► further versions on request

► Angle Heads

360° turnable



ref.-no.	machine adaption	center distance H [mm]	gauge line of housing A [mm]	torque arm		stop-block	
				Dim. X [mm]	Dim. Y [mm]		
7 033 66 025		230	60		60	53	
7 033 66 032				✓	60	53	✗
7 033 66 024				✗	-	-	✗
7 033 76 004		240	70		60	53	
7 033 76 007				✓	60	53	✗
7 033 76 003				✗	-	-	✗
7 033 66 027		240	70		60	53	
7 033 66 033				✓	60	53	✗
7 033 66 026				✗	-	-	✗
7 033 66 023		230	60		60	53	
7 033 66 031				✓	60	53	✗
7 033 66 022				✗	-	-	✗

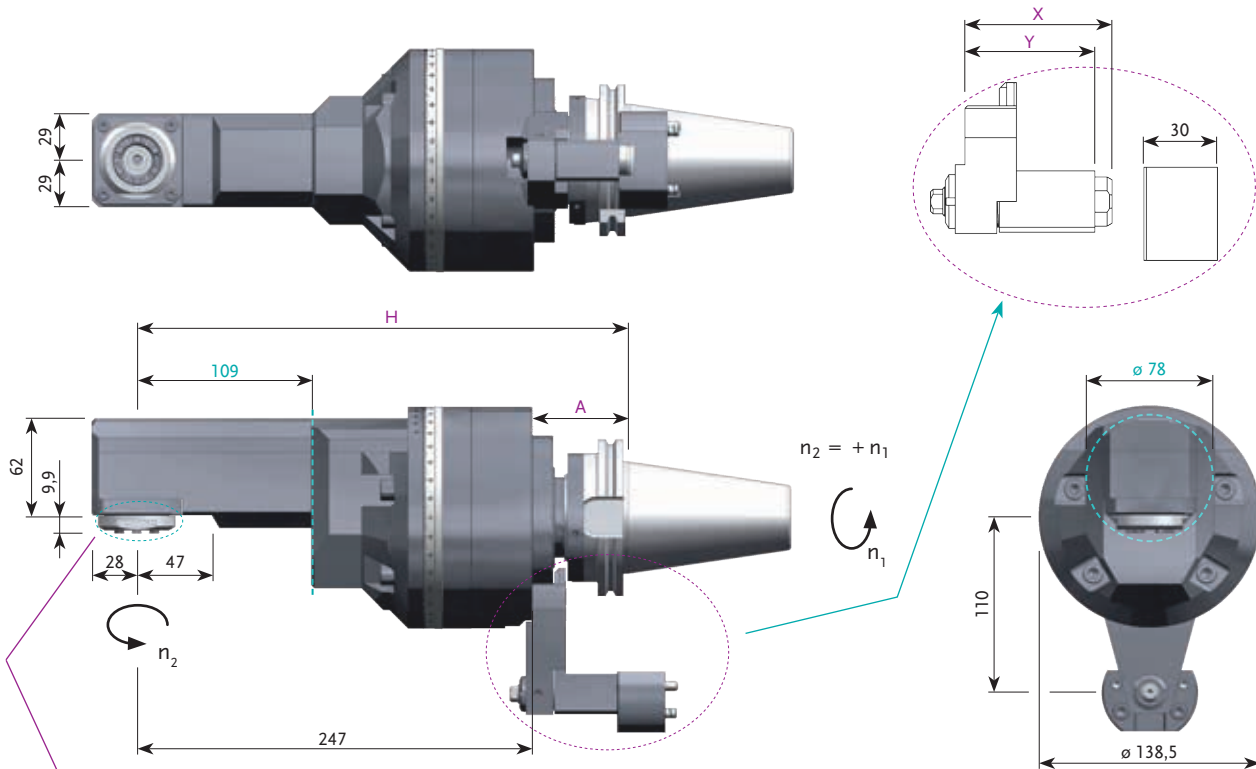
note: support optional!

✗ = not included in delivery
✓ = included in delivery
Dim. X = end face fixing bolt / gauge line of the housing
Dim. Y = locking device / gauge line of the housing

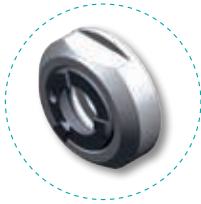
► further versions on request

► Angle Heads

360° turnable; long















size 5 offset slim



tool adaption : ER 25 A - u-tec (ø0,5-ø16,0)
 rotation $n_{2 \max}$ [1/min] : 8000
 torque $M_{2 \max}$ [Nm] : 40

coolant : no
 gear ratio [i] : 1:1
 rotating direction : same

ref.-no.	machine adaption	center distance H [mm]	gauge line of housing A [mm]	torque arm		stop-block	
				Dim. X [mm]	Dim. Y [mm]		
7 033 65 004	 DIN 69871 A - SK 50	307	60		60	53	
7 033 65 008				✓	60	53	✗
7 033 65 003				✗	-	-	✗
7 033 75 001	 DIN 69893 - HSK 100 A	317	70		60	53	
7 033 75 002				✓	60	53	✗
7 033 75 000				✗	-	-	✗
7 033 65 006	 MAS 403 BT 50	317	70		60	53	
7 033 65 009				✓	60	53	✗
7 033 65 005				✗	-	-	✗
7 033 65 002	 ANSI B 5.50/ CAT 50 inch	307	60		60	53	
7 033 65 007				✓	60	53	✗
7 033 65 001				✗	-	-	✗

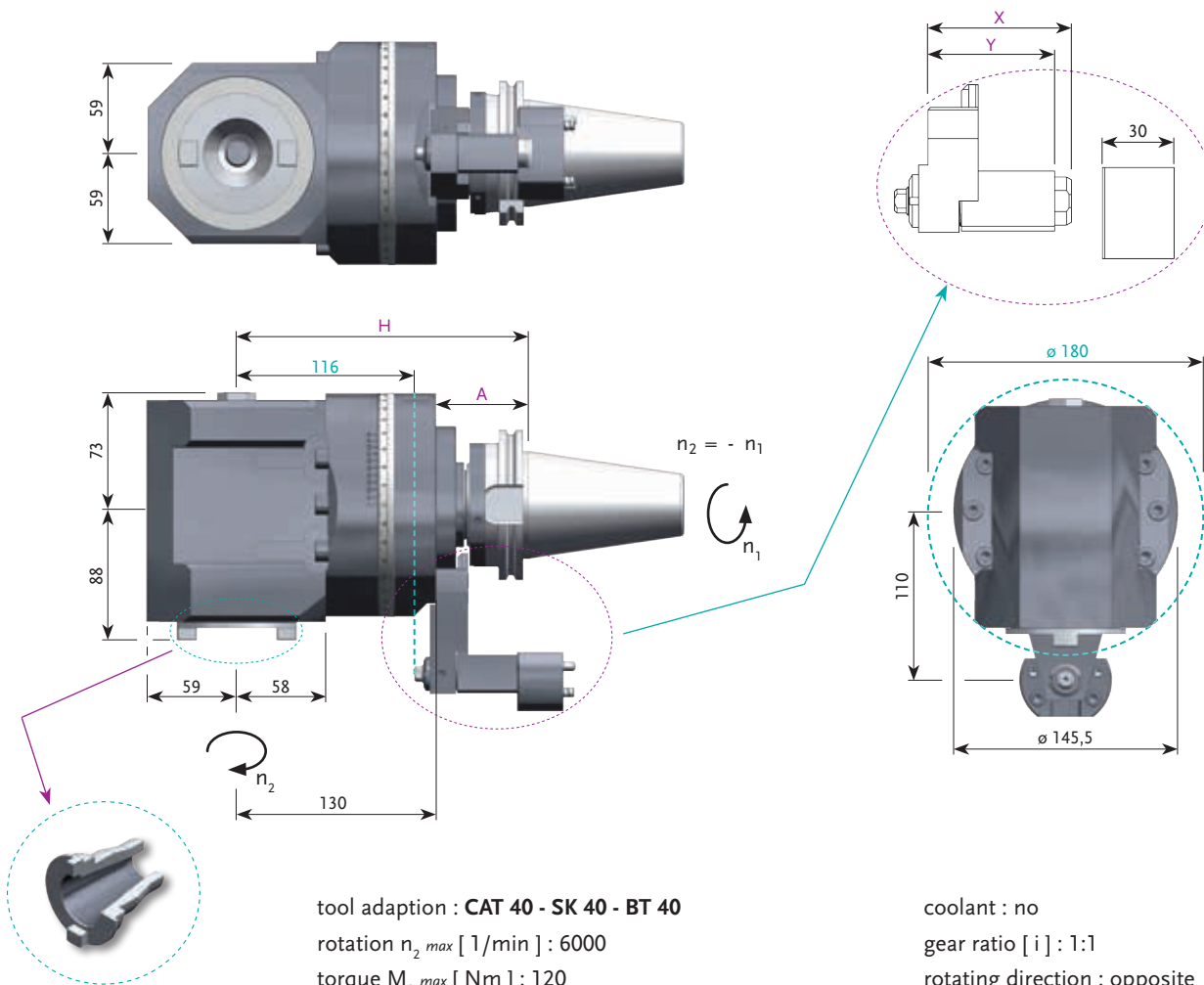
note: support optional!

✗ = not included in delivery
 ✓ = included in delivery
 Dim. X = end face fixing bolt / gauge line of the housing
 Dim. Y = locking device / gauge line of the housing

► further versions on request

► Angle Heads

360° turnable



tool adaption : CAT 40 - SK 40 - BT 40
rotation $n_{2\ max}$ [1/min] : 6000
torque $M_{2\ max}$ [Nm] : 120

coolant : no
gear ratio [i] : 1:1
rotating direction : opposite

ref.-no.	machine adaption	center distance H [mm]	gauge line of housing A [mm]	torque arm		stop-block	
				Dim. X [mm]	Dim. Y [mm]		
7 030 67 067		190	60		60	53	
7 030 67 086				✓	60	53	✗
7 030 67 066				✗	-	-	✗
7 030 77 011		200	70		60	53	
7 030 77 016				✓	60	53	✗
7 030 77 010				✗	-	-	✗
7 030 67 068		200	70		60	53	
7 030 67 087				✓	60	53	✗
7 030 67 041				✗	-	-	✗
7 030 67 043		190	60		60	53	
7 030 67 085				✓	60	53	✗
7 030 67 065				✗	-	-	✗

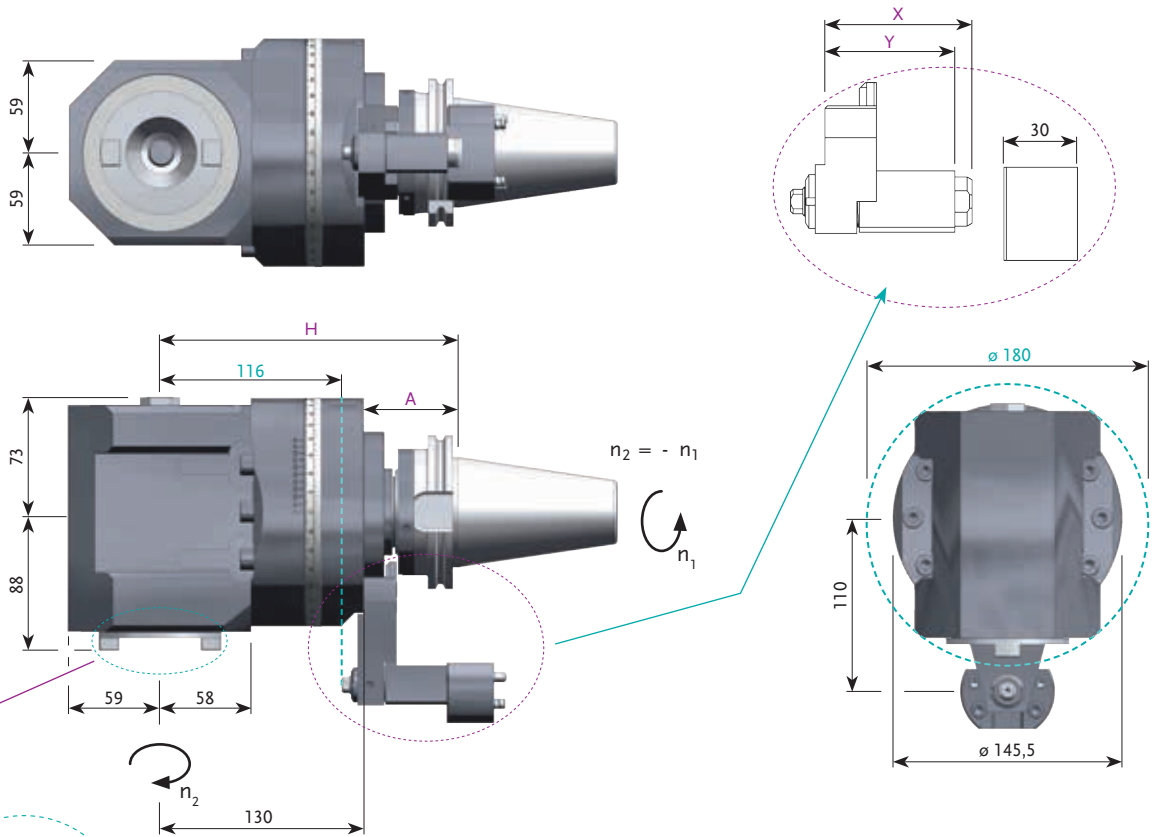
note: support optional!

✗ = not included in delivery
✓ = included in delivery
Dim. X = end face fixing bolt / gauge line of the housing
Dim. Y = locking device / gauge line of the housing

► further versions on request






► Angle Heads

360° turnable



tool adaption : **CAT 40 - inch**
 rotation $n_{2 \max}$ [1/min] : 6000
 torque $M_{2 \max}$ [Nm] : 120

coolant : no
 gear ratio [i] : 1:1
 rotating direction : opposite

ref.-no.	machine adaption	center distance H [mm]	gauge line of housing A [mm]	torque arm		stop-block	
					Dim. X [mm]		Dim. Y [mm]
7 030 67 097	 DIN 69871 A - SK 50	190	60	✓	60	53	✓
7 030 67 096				✓	60	53	✗
7 030 67 095				✗	-	-	✗
7 030 77 019	 DIN 69893 - HSK 100 A	200	70	✓	60	53	✓
7 030 77 018				✓	60	53	✗
7 030 77 017				✗	-	-	✗
7 030 67 094	 MAS 403 BT 50	200	70	✓	60	53	✓
7 030 67 093				✓	60	53	✗
7 030 67 092				✗	-	-	✗
7 030 67 091	 ANSI B 5.50/ CAT 50 inch	190	60	✓	60	53	✓
7 030 67 090				✓	60	53	✗
7 030 67 069				✗	-	-	✗

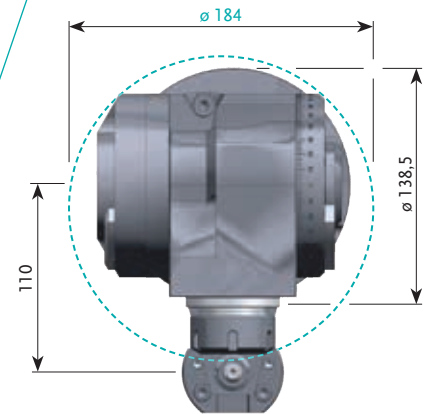
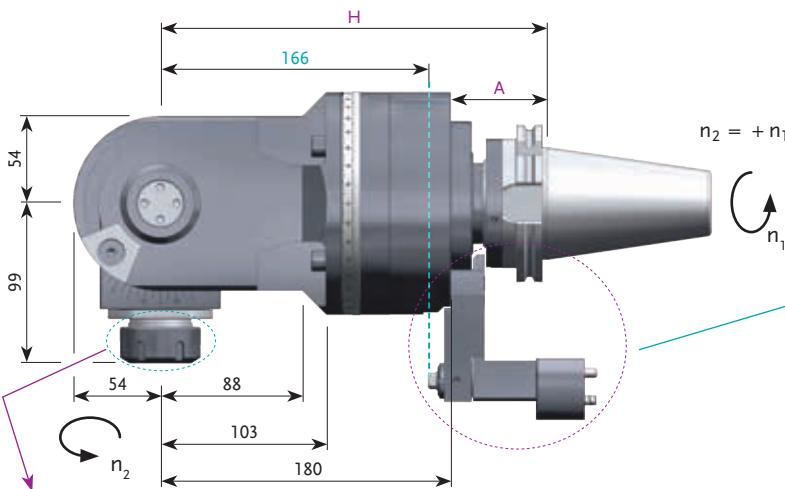
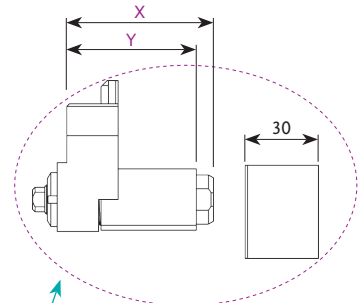
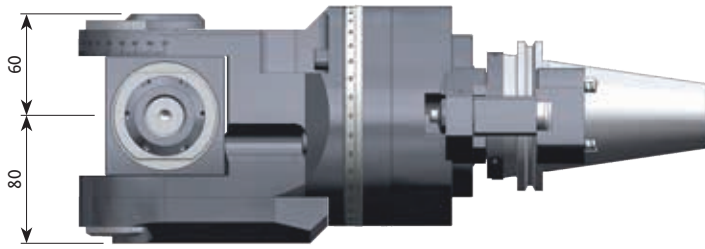
note: support optional!

✗ = not included in delivery
 ✓ = included in delivery
 Dim. X = end face fixing bolt / gauge line of the housing
 Dim. Y = locking device / gauge line of the housing

► further versions on request













► Angle Heads ± 90° adjustable

360° turnable



tool adaption : ER 32 (ø1,0-ø20,0)
rotation $n_{2 \max}$ [1/min] : 6000
torque $M_{2 \max}$ [Nm] : 50

coolant : no
gear ratio [i] : 1:1
rotating direction : same

ref.-no.	machine adaption	center distance H [mm]	gauge line of housing A [mm]	torque arm		stop-block	
				Dim. X [mm]	Dim. Y [mm]		
7 040 66 008	 DIN 69871 A - SK 50	240	60		60	53	
7 040 66 012				✓	60	53	✗
7 040 66 007				✗	-	-	✗
7 040 76 001	 DIN 69893 - HSK 100 A	250	70		60	53	
7 040 76 002				✓	60	53	✗
7 040 76 000				✗	-	-	✗
7 040 66 010	 MAS 403 BT 50	250	70		60	53	
7 040 66 013				✓	60	53	✗
7 040 66 009				✗	-	-	✗
7 040 66 006	 ANSI B 5.50/ CAT 50 inch	240	60		60	53	
7 040 66 011				✓	60	53	✗
7 040 66 005				✗	-	-	✗

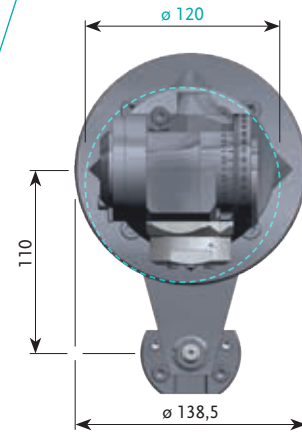
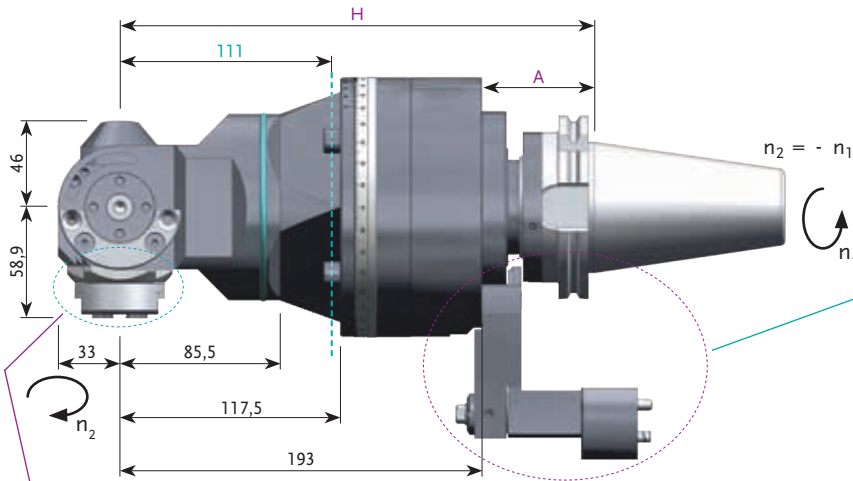
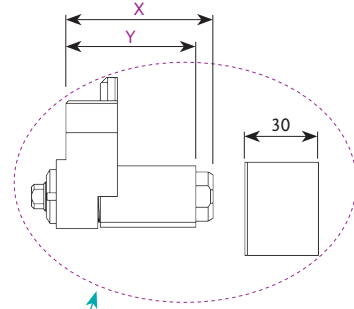
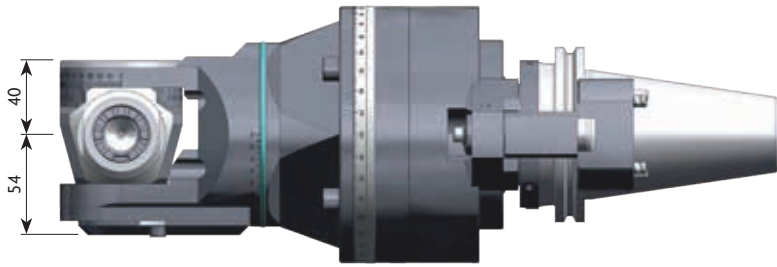
note: support optional!

✗ = not included in delivery
✓ = included in delivery
Dim. X = end face fixing bolt / gauge line of the housing
Dim. Y = locking device / gauge line of the housing

► further versions on request

► Angle Heads ± 90° adjustable

360° turnable



size 5 standard



tool adaption : ER 25 A - u-tec (ø0,5-ø16,0)
 rotation $n_{2 \max}$ [1/min] : 6000
 torque $M_{2 \max}$ [Nm] : 25

coolant : no
 gear ratio [i] : 1:1
 rotating direction : opposite

ref.-no.	machine adaption	center distance H [mm]	gauge line of housing A [mm]	torque arm		stop-block	
				Dim. X [mm]	Dim. Y [mm]		
7 040 65 007		253	60		60	53	
7 040 65 011				✓	60	53	✗
7 040 65 006				✗	-	-	✗
7 040 75 001		263	70		60	53	
7 040 75 003				✓	60	53	✗
7 040 75 000				✗	-	-	✗
7 040 65 009		263	70		60	53	
7 040 65 012				✓	60	53	✗
7 040 65 008				✗	-	-	✗
7 040 65 005		253	60		60	53	
7 040 65 010				✓	60	53	✗
7 040 65 004				✗	-	-	✗

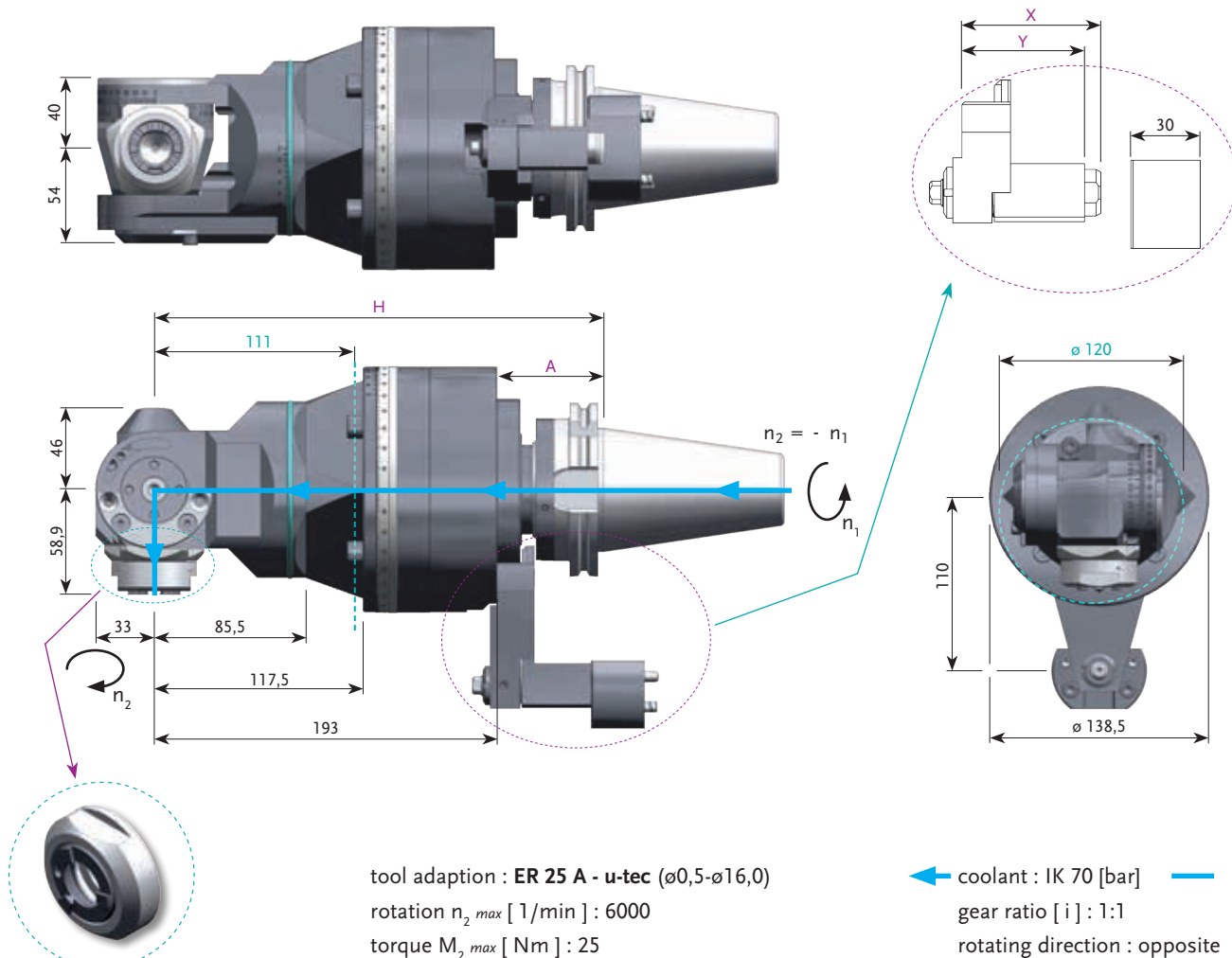
note: support optional!

✗ = not included in delivery
 ✓ = included in delivery
 Dim. X = end face fixing bolt / gauge line of the housing
 Dim. Y = locking device / gauge line of the housing

► further versions on request

► Angle Heads ± 90° adjustable

360° turnable



tool adaption : ER 25 A - u-tec (ø0,5-ø16,0)
rotation $n_{2 \max}$ [1/min] : 6000
torque $M_{2 \max}$ [Nm] : 25

← coolant : IK 70 [bar] —
gear ratio [i] : 1:1
rotating direction : opposite

ref.-no.	machine adaption	center distance H [mm]	gauge line of housing A [mm]	torque arm		stop-block	
				Dim. X [mm]	Dim. Y [mm]		
7 040 65 021		253	60		60	53	
7 040 65 020				✓	60	53	✗
7 040 65 019				✗	-	-	✗
7 040 75 006		263	70		60	53	
7 040 75 005				✓	60	53	✗
7 040 75 004				✗	-	-	✗
7 040 65 002		263	70		60	53	
7 040 65 015				✓	60	53	✗
7 040 65 014				✗	-	-	✗
7 040 65 018		253	60		60	53	
7 040 65 017				✓	60	53	✗
7 040 65 016				✗	-	-	✗

note: support optional!

✗ = not included in delivery
✓ = included in delivery
Dim. X = end face fixing bolt / gauge line of the housing
Dim. Y = locking device / gauge line of the housing

► further versions on request

7 040 45 007
Angle Head
± 90° adjustable
ER 25 AX - u-tec



7 033 45 021
Angle Head
offset
ER 25



7 037 86 000
Disk Mill Head
arbor 27



7 033 23 001
Angle Head
offset
ER 11 A



7 039 64 000
Angle Head
double spindle
arbor 16



7 030 66 010
Angle Head
ER 32 AX - u-tec



7 050 54 003
Multi Spindle Drilling Head
6 - spindle
ER 16 M



7 030 41 064
Angle Head
RA - 100
CH8



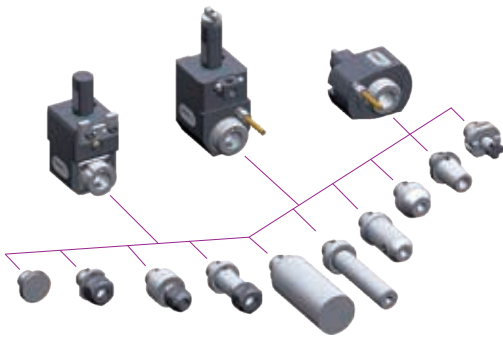
7 039 41 017
Angle Head
KC - 300
CHC



7 030 41 061
Angle Head
MFC - 300 S
K252



► **easy-quick HT fast change system**



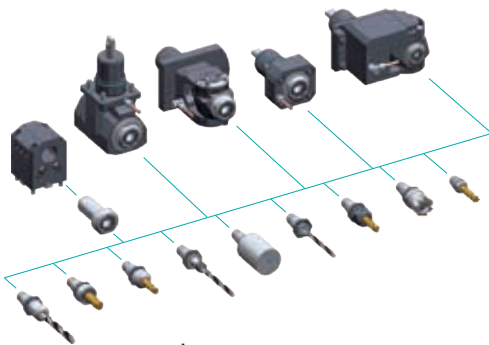
THE fast change system of heimatec
for driven and static tools

► versions see catalogue



www.heimatec.com
products / easy-quick

► **u-tec[®] UT change system**



Our change system,
that makes EVERYTHING possible

► versions see catalogue

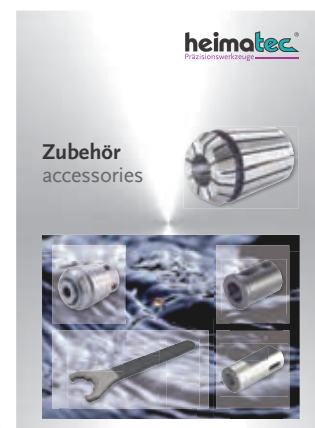


www.heimatec.com
products / u-tec

► **accessories**



► versions see catalogue

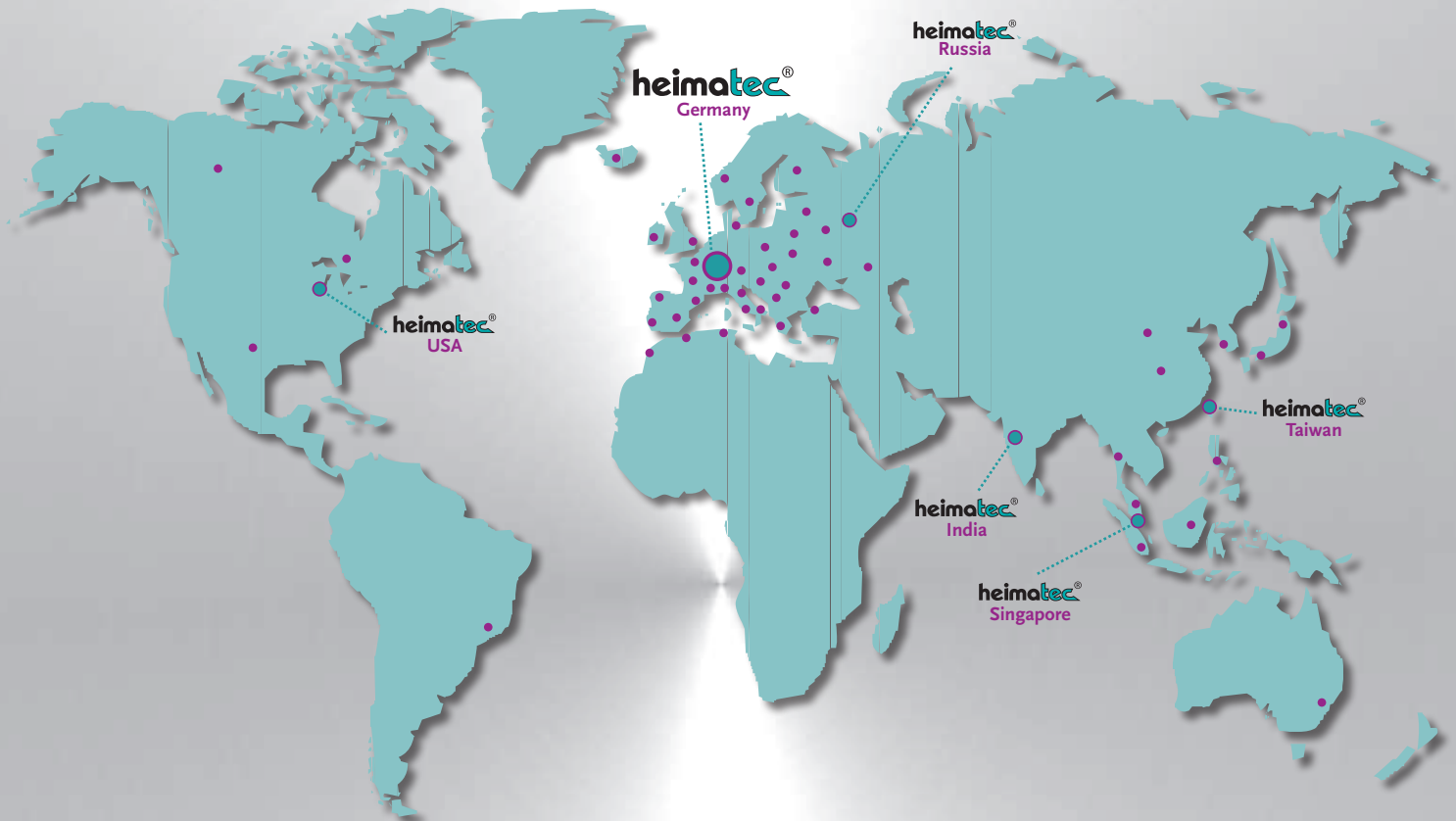


www.heimatec.com
products / accessories

heimatec®

● heimatec® - overseas branches

● global representations of heimatec®



headquarters

heimatec® GmbH
Präzisionswerkzeuge
Carl-Benz-Straße 4
D- 77871 Renchen
Postfach 11 36
D- 77867 Renchen

Tel.: +49 (78 43) 94 66 0
Fax: +49 (78 43) 94 66 66
heimatec.de
info@heimatec.de

heimatec® Inc.
USA
usa.heimatec.com
USA@heimatec.com

heimatec®-Ost, JSC
Russia
ru.heimatec.com
Russia@heimatec.com

heimatec® Ltd.
Taiwan
tw.heimatec.com
Taiwan@heimatec.com

heimatec®
Singapore
sg.heimatec.com
Singapore@heimatec.com

heimatec® India Pvt Ltd.
India
in.heimatec.com
India@heimatec.com

